

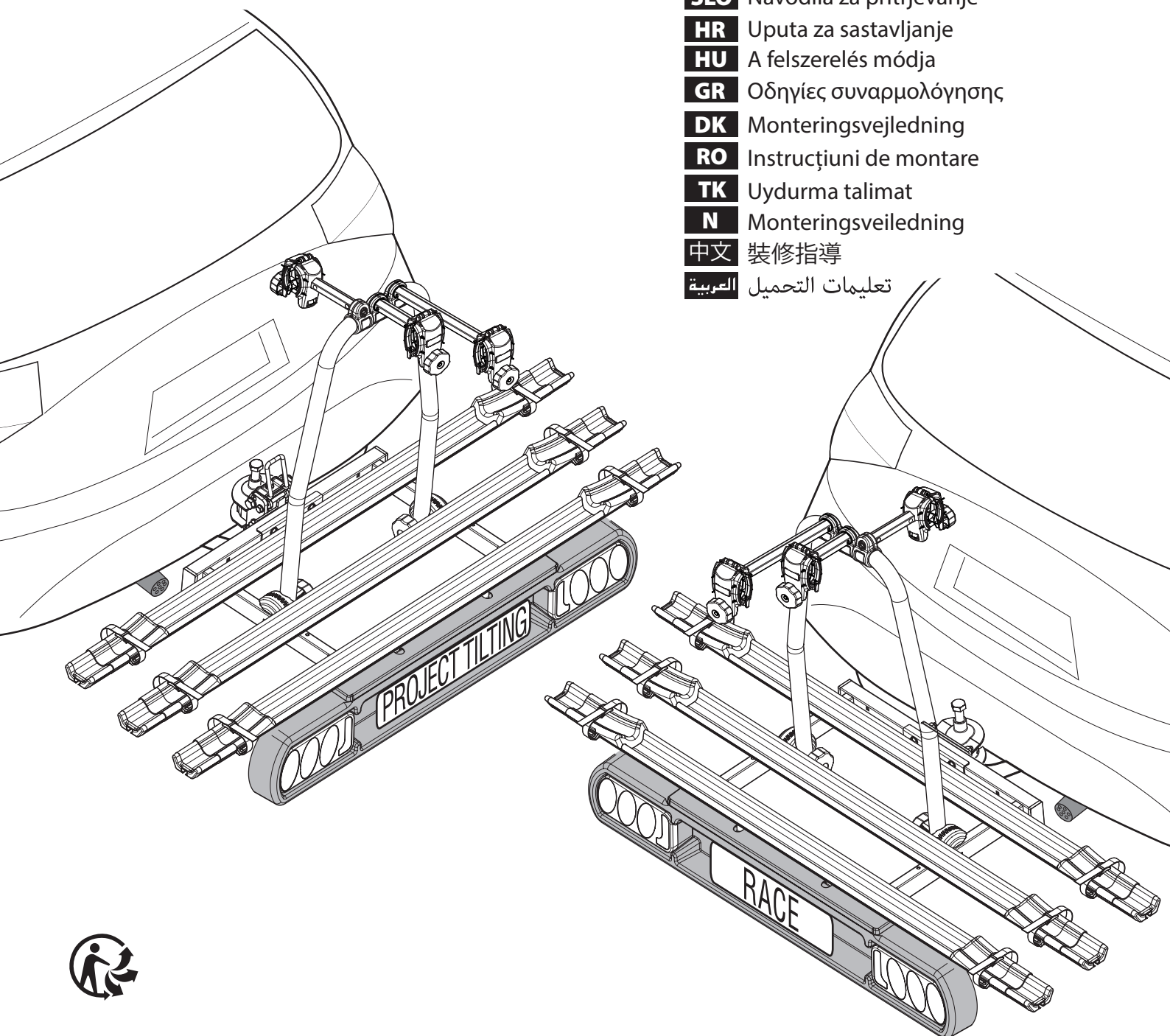
RACE 3



































PROJECT TILTING 3



























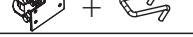



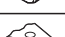



FOXHOUND 3

THUNDERBOLT 3

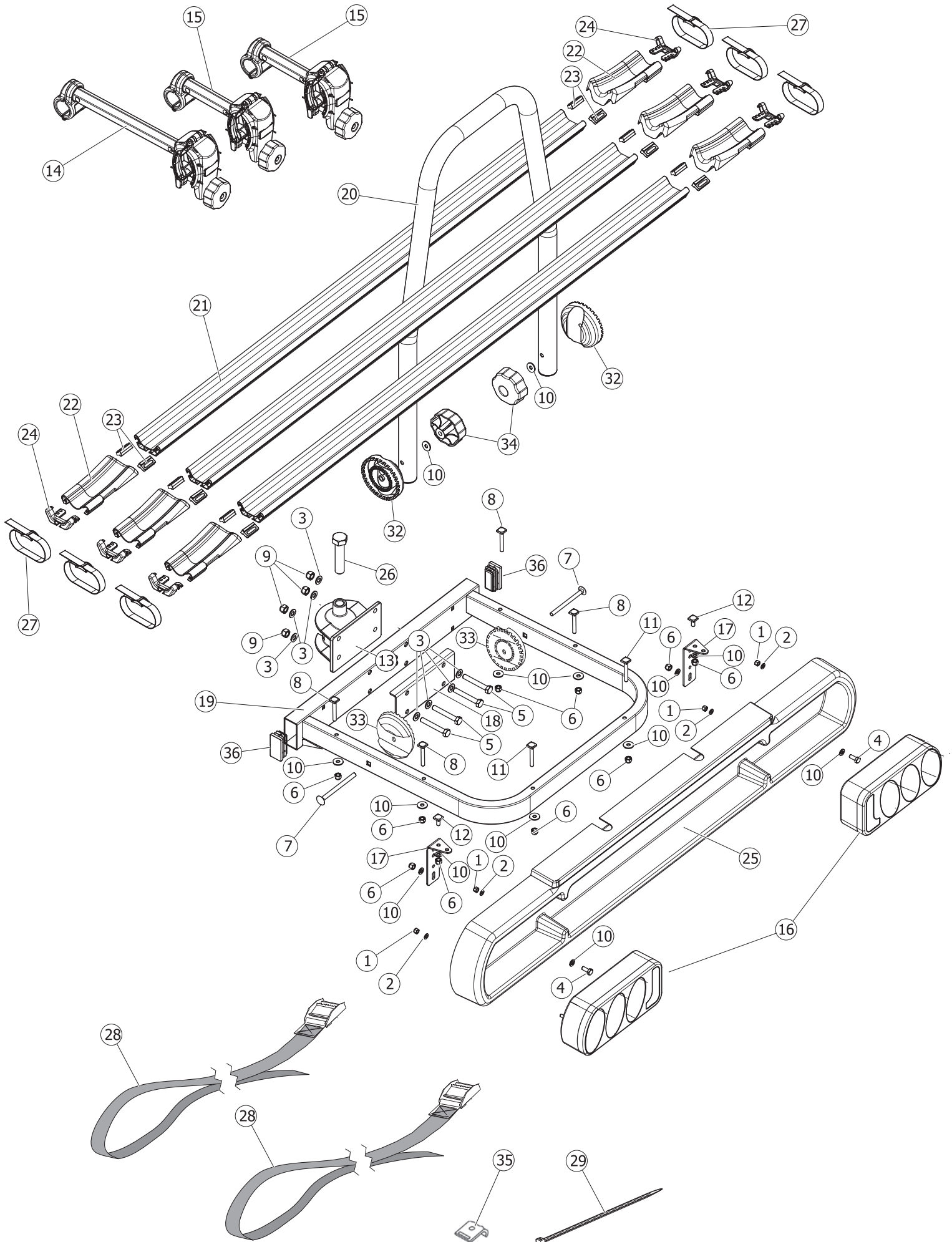
- I** Istruzioni per il montaggio
- GB** Fitting instructions
- D** Montageanleitung
- F** Instructions de montage
- E** Instrucciones de montaje
- NL** Montage-instructies
- PT** Instruções de Montagem
- S** Monteringsanvisning
- FIN** Asennusohje
- EST** Paigaldusjuhend
- LAT** Stiprināšanas instrukcija
- LIT** Pritvirtinimo instrukcijos
- PL** Instrukcja montażu
- RU** Инструкции по установке
- CZ** Návod na montáž
- SK** Návod na montáž
- SLO** Navodila za pritrjevanje
- HR** Uputa za sastavljanje
- HU** A felszerelés módja
- GR** Οδηγίες συναρμολόγησης
- DK** Monteringsvejledning
- RO** Instrucțiuni de montare
- TK** Uydurma talimat
- N** Monteringsveiledning
- 中文** 裝修指導
- العربية** تعليمات التحميل



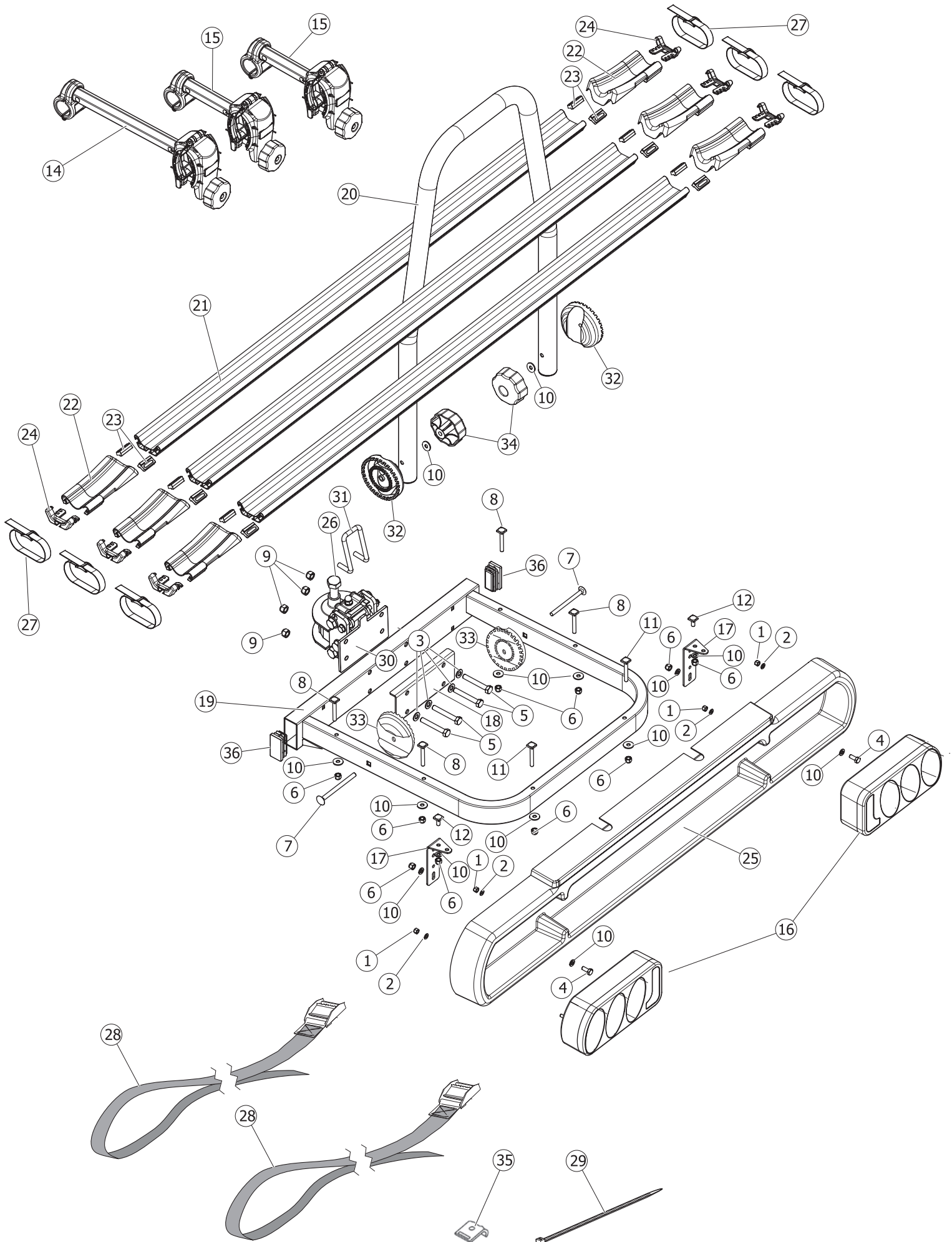
| N. | <ul style="list-style-type: none"> I Componenti (Inclusi) GB Components (Included) F Composants (Comprises) DE Die Komponenten (im Lieferumfang enthalten) E Componentes (Incluido) RU Компоненты (в комплекте) | RACE 3 FOXHOUND 3 | PROJECT TILTING 3 THUNDERBOLT 3 |
|----|---|----------------------|------------------------------------|
| | | Q. | Q. |
| 1 |  M5 | 4 | 4 |
| 2 |  M5 | 4 | 4 |
| 3 |  M8 | 8 | 4 |
| 4 |  M6X14 | 2 | 2 |
| 5 |  M8X50 | 4 | 4 |
| 6 |  M6 | 10 | 10 |
| 7 |  M6X95 | 2 | 2 |
| 8 |  6X50 | 4 | 4 |
| 9 |  M8 | 4 | 4 |
| 10 |  M6X18 | 14 | 14 |
| 11 |  6X60 | 2 | 2 |
| 12 |  M6X16 | 2 | 2 |
| 13 |  | 1 | - |
| 14 |  | 1 | 1 |
| 15 |  | 2 | 2 |
| 16 |  | 1 | 1 |
| 17 |  | 2 | 2 |
| 18 |  | 1 | 1 |
| 19 |  | 1 | 1 |
| 20 |  | 1 | 1 |
| 21 |  | 3 | 3 |
| 22 |  | 6 | 6 |
| 23 |  | 12 | 12 |
| 24 |  | 6 | 6 |
| 25 |  | 1 | 1 |
| 26 |  M16x70 | 1 | 1 |
| 27 |  | 6 | 6 |
| 28 |  MT 2,5 | 2 | 2 |
| 29 |  | 2 | 2 |
| 30 |  | - | 1 |
| 31 |  | - | 1 |
| 32 |  | 2 | 2 |
| 33 |  | 2 | 2 |
| 34 |  | 2 | 2 |
| 35 | | 1 | 1 |

| N. | <ul style="list-style-type: none"> I Ricambi (A Richiesta) GB Spare Parts (Made to order) F Pièces de rechange (Sur commande) DE Teile (auf Anfrage) E Piezas de recambio (Previa solicitud) RU Запасные части (по запросу) | RACE 3 FOXHOUND 3 | PROJECT TILTING 3 THUNDERBOLT 3 | Codice Code Code Code Código код |
|----|---|----------------------|------------------------------------|---|
| | | Q. | Q. | |
| 1 |  M5 | 4 | 4 | 700002800000 |
| 2 |  M5 | 4 | 4 | |
| 3 |  M8 | 8 | 8 | |
| 4 |  M6X14 | 2 | 2 | |
| 5 |  M8X50 | 4 | 4 | |
| 6 |  M6 | 10 | 10 | 700004200000 |
| 7 |  M6X95 | 2 | 2 | |
| 8 |  6X50 | 4 | 4 | |
| 9 |  M8 | 4 | 4 | 700002900000 |
| 10 |  M6X18 | 14 | 14 | |
| 11 |  6X60 | 2 | 2 | |
| 12 |  M6X16 | 2 | 2 | |
| 13 |  | 1 | - | 700003000000 |
| 14 |  | 1 | 1 | 700003100000 |
| 15 |  | 1 | 1 | 700003200000 |
| 16 |  | 1 | 1 | 700003300000 |
| 17 |  | 2 | 2 | 700003400000 |
| 18 |  | 1 | 1 | 700003500000 |
| 22 |  | 1 | 1 | 700003800000 |
| 23 |  | 2 | 2 | |
| 37 |  | 1 | 1 | |
| 38 |  | 1 | 1 | 700003900000 |
| 24 |  | 2 | 2 | |
| 25 |  | 1 | 1 | 700004000000 |
| 26 |  M16x70 | 1 | 1 | 700004100000 |
| 27 |  | 3 | 3 | 700003600000 |
| 28 |  MT 2,5 | 1 | 1 | 700001100000 |
| 30 |  | - | 1 | 700001150000 |
| 31 |  | - | 1 | 700004300000 |
| 32 |  | 2 | 2 | 700004500000 |
| 33 |  | 2 | 2 | 700004600000 |
| 34 |  | 2 | 2 | 700001900000 |
| 35 |  | 1 | 1 | 700004700000 |
| 36 |  | 2 | 2 | 700003700000 |

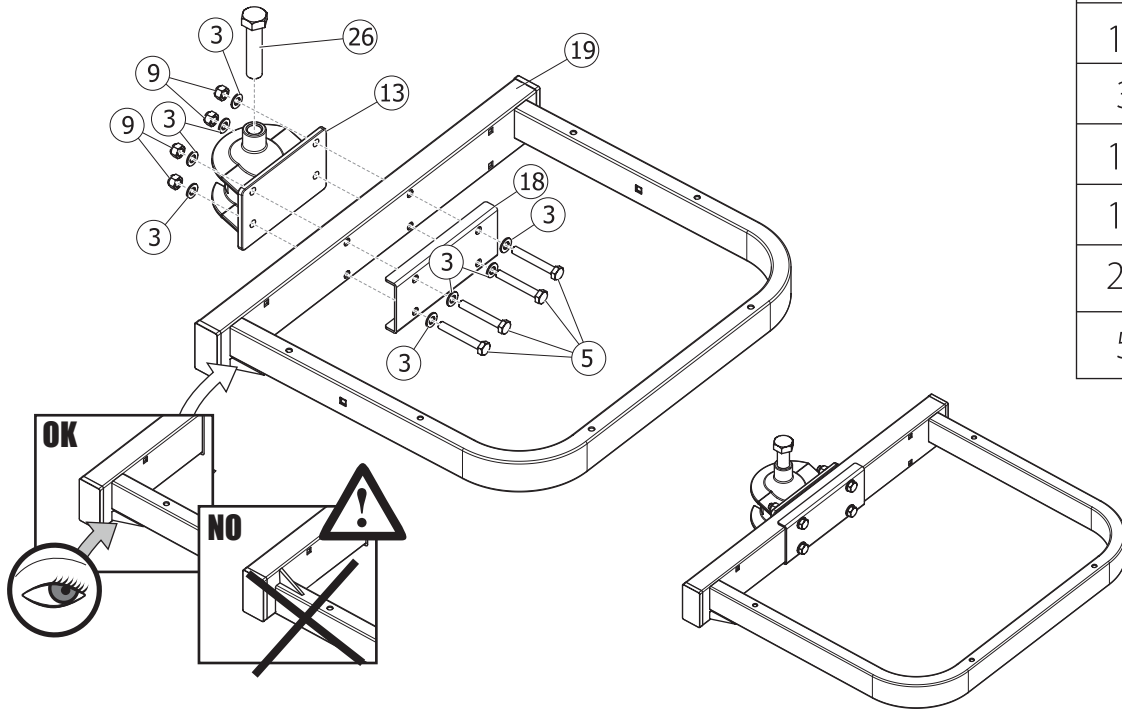
RACE 3 / FOXHOUND 3



PROJECT TILTING 3 / THUNDERBOLT 3

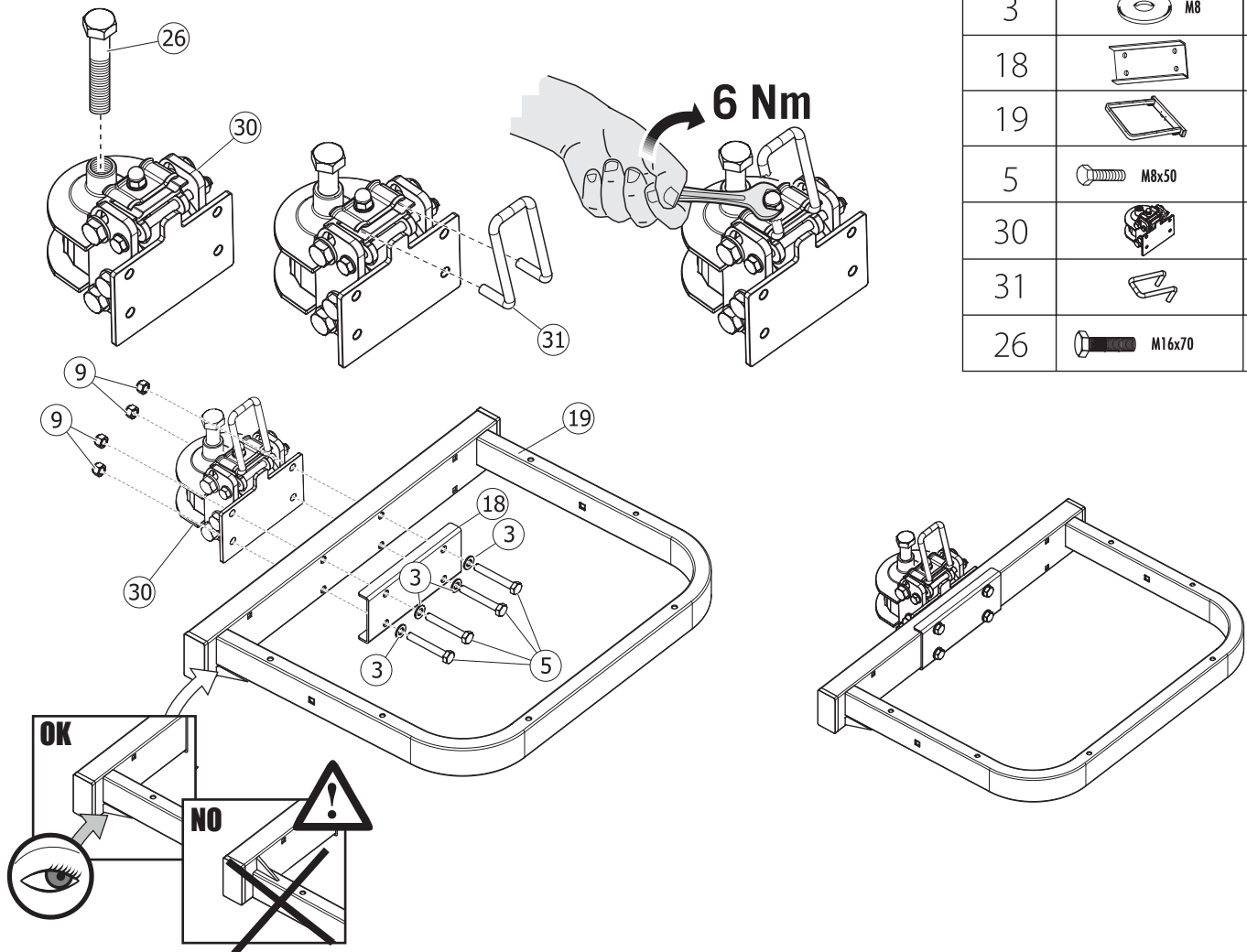


RACE 3 / FOXHOUND 3

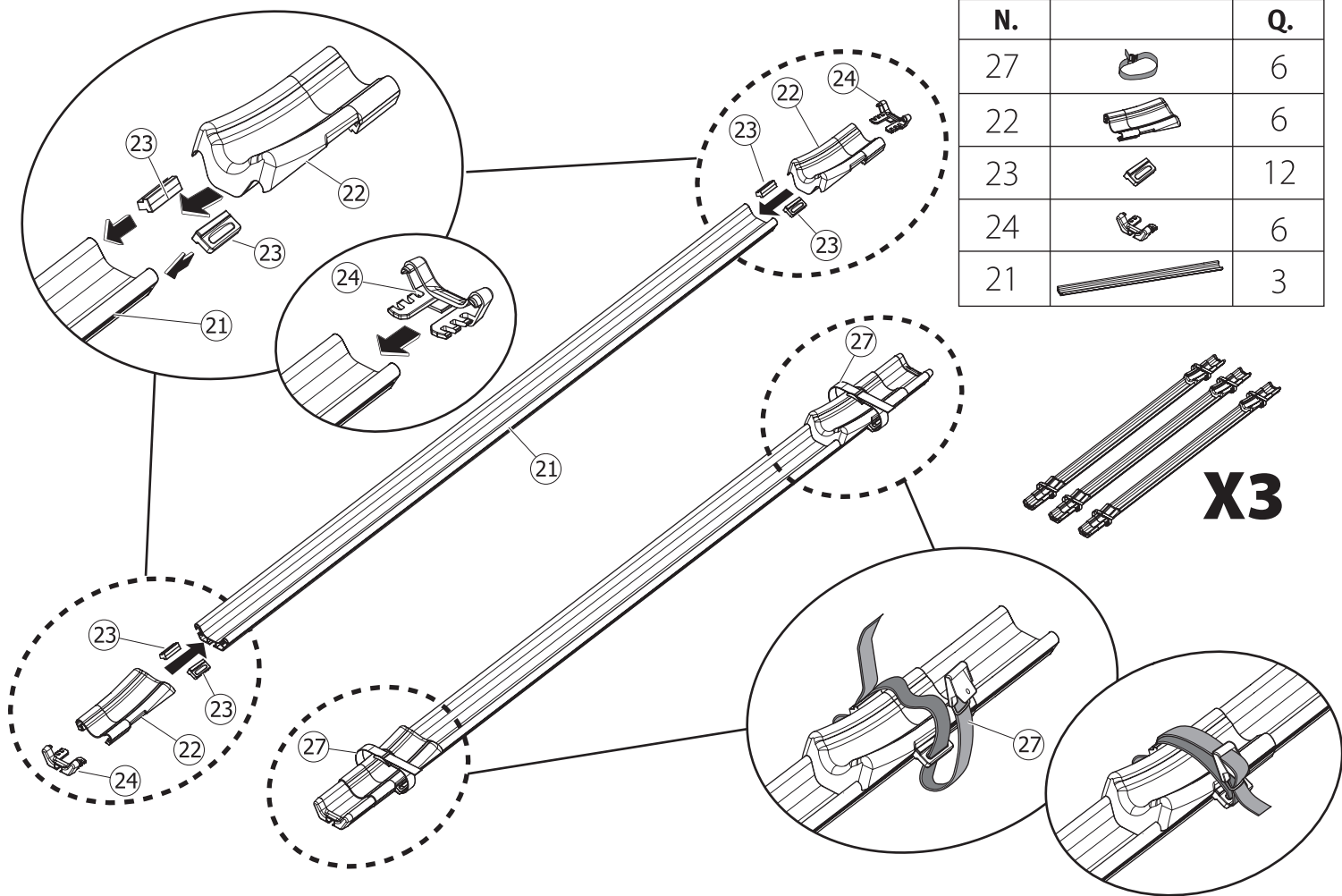


| N. | | Q. |
|----|--------|----|
| 9 | M8 | 4 |
| 13 | | 1 |
| 3 | M8 | 8 |
| 18 | | 1 |
| 19 | | 1 |
| 26 | M16x70 | 1 |
| 5 | M8x50 | 4 |

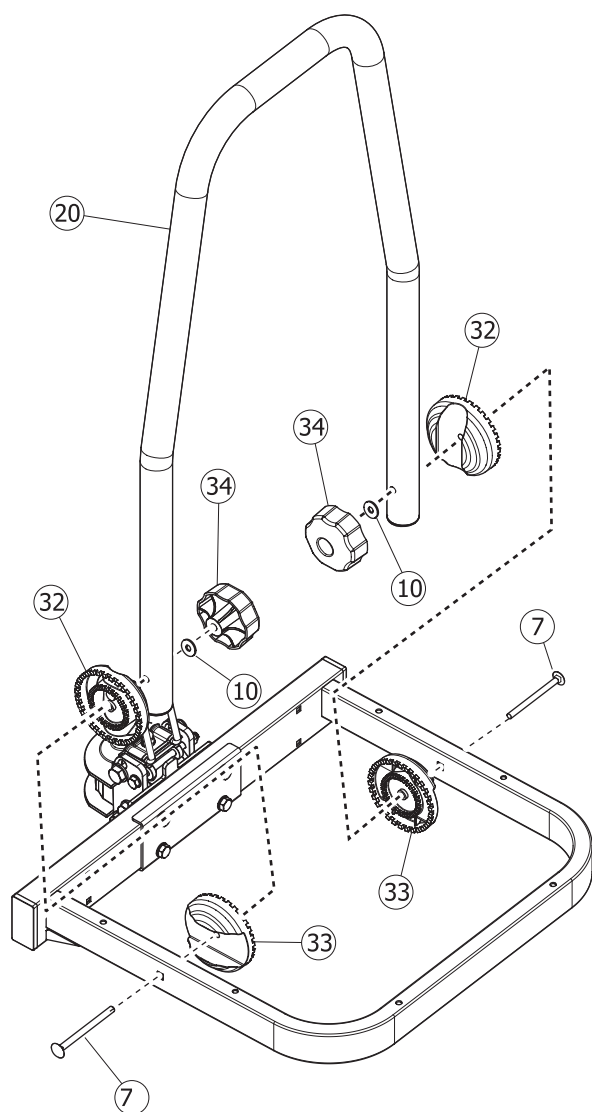
PROJECT TILTING 3 / THUNDERBOLT 3



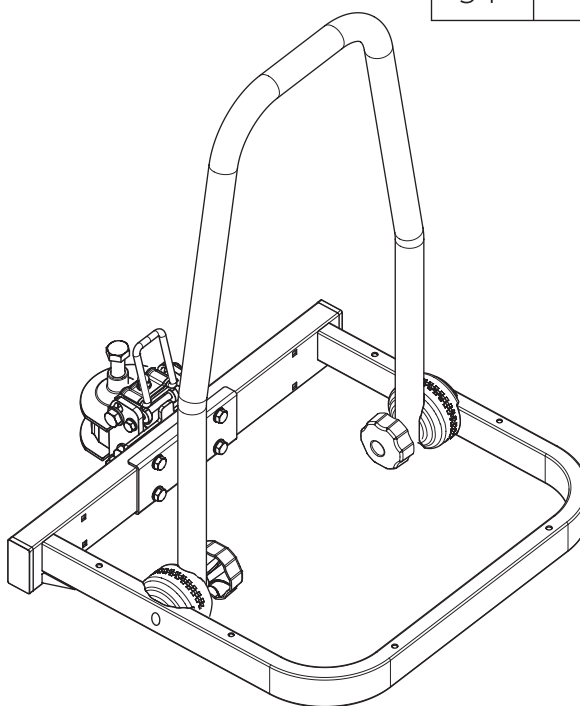
| N. | | Q. |
|----|--------|----|
| 9 | M8 | 4 |
| 3 | M8 | 4 |
| 18 | | 1 |
| 19 | | 1 |
| 5 | M8x50 | 4 |
| 30 | | 1 |
| 31 | | 1 |
| 26 | M16x70 | 1 |






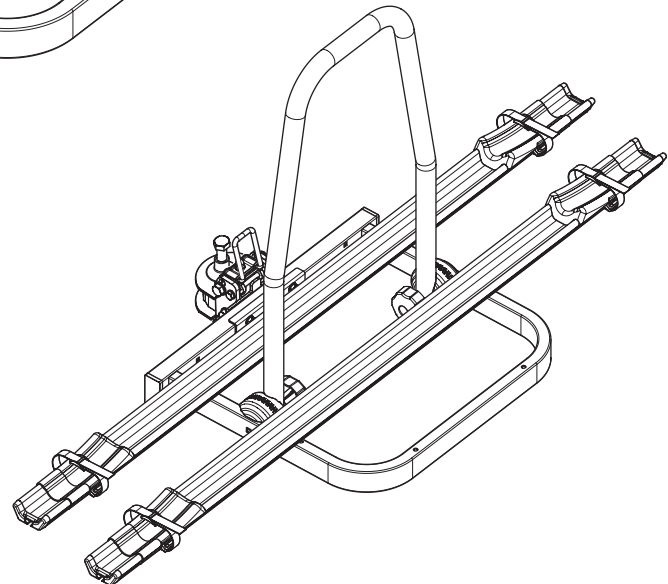
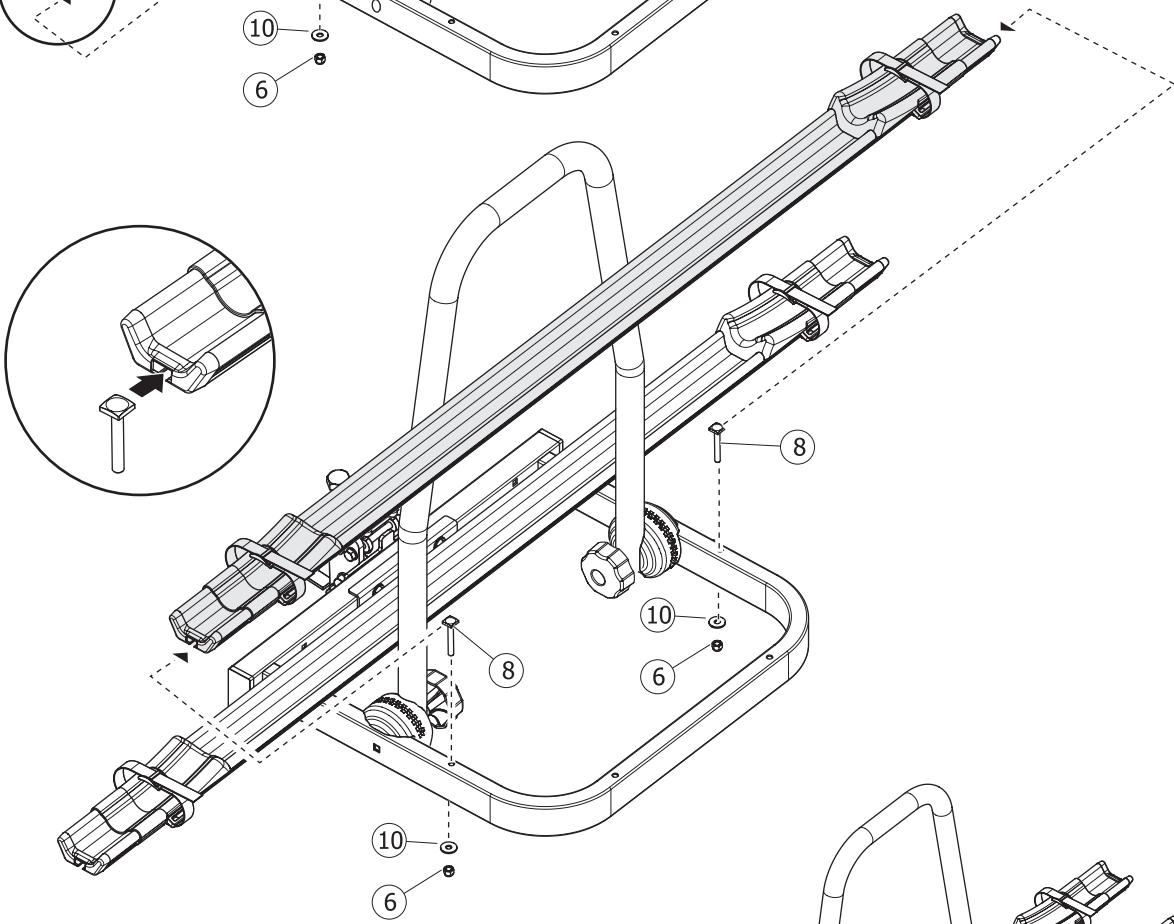
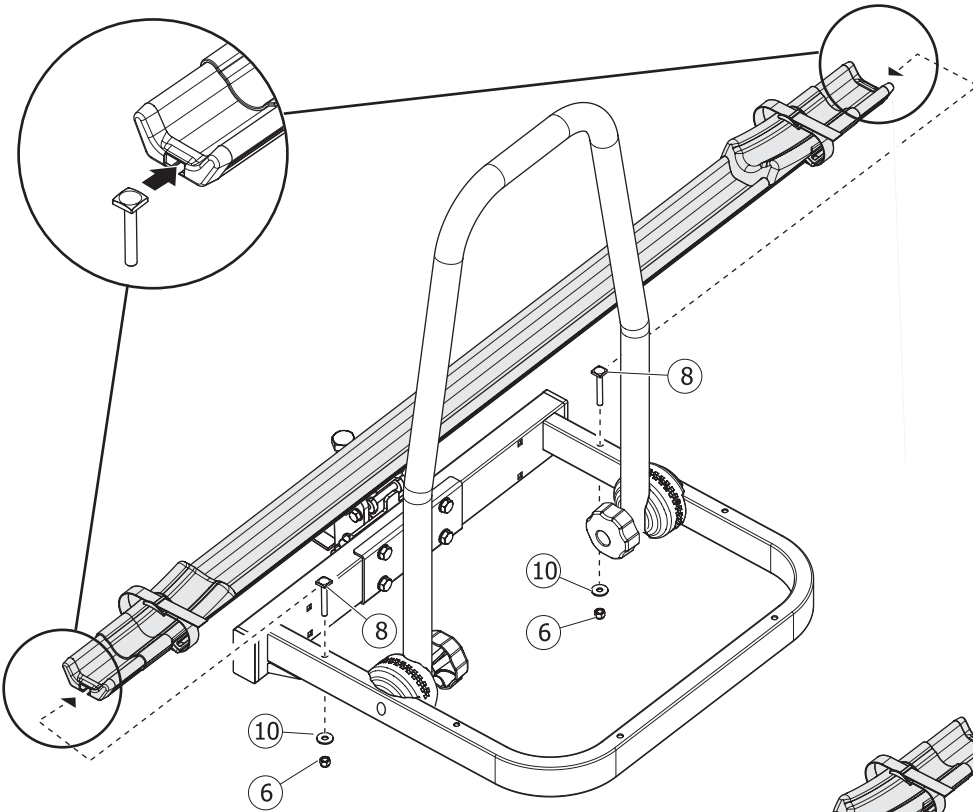
| N. | | Q. |
|----|--|----|
| 27 | | 6 |
| 22 | | 6 |
| 23 | | 12 |
| 24 | | 6 |
| 21 | | 3 |

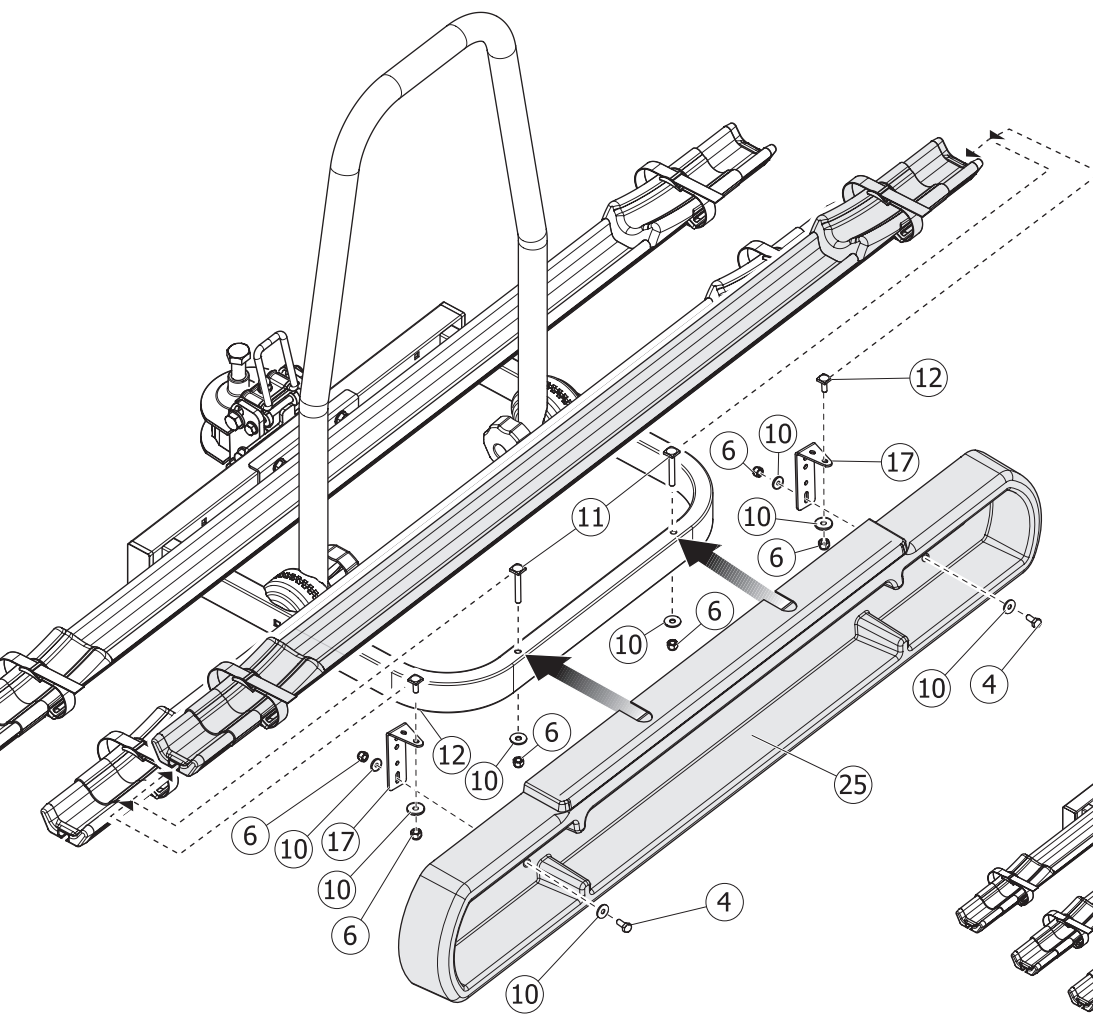







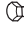

| N. | | Q. |
|----|--|----|
| 10 | | 2 |
| 20 | | 1 |
| 7 | | 2 |
| 32 | | 2 |
| 33 | | 2 |
| 34 | | 2 |

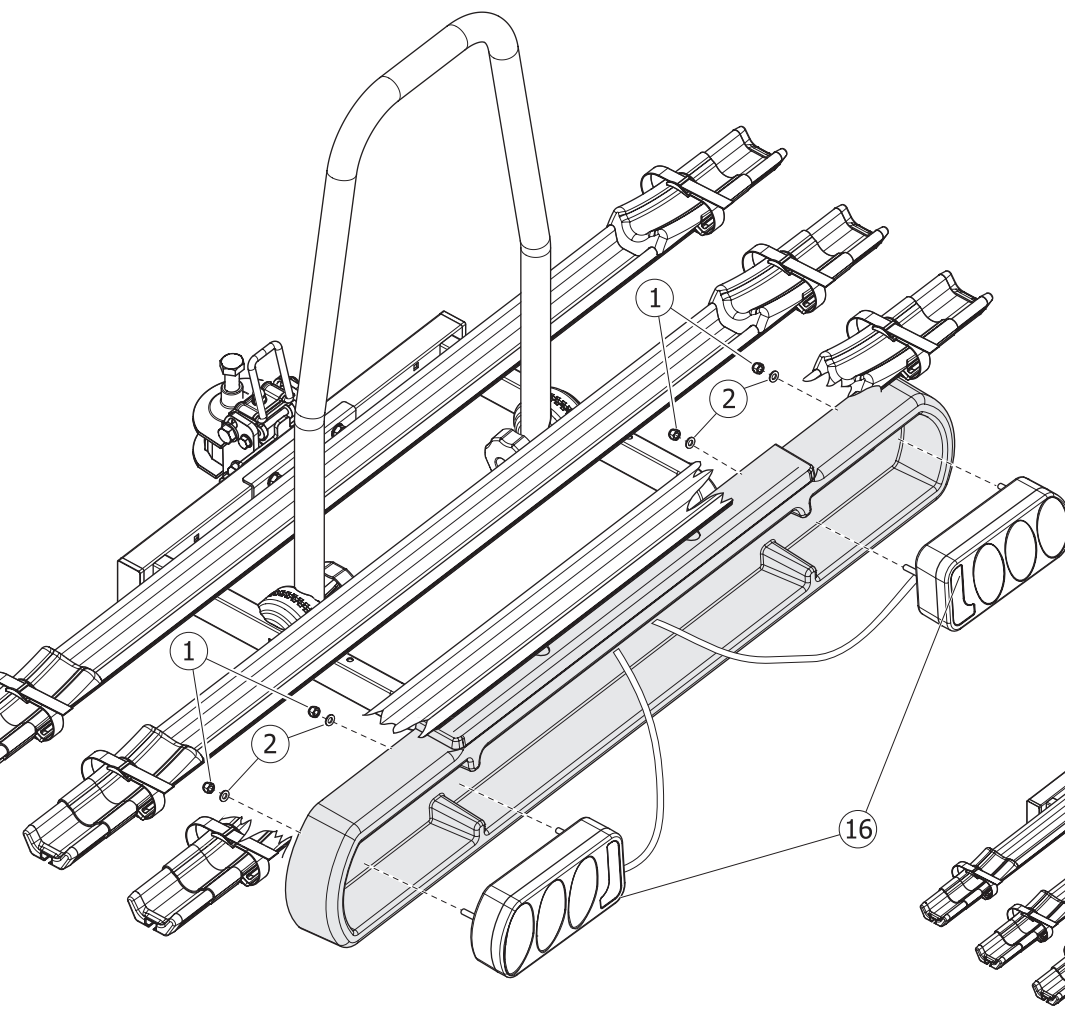
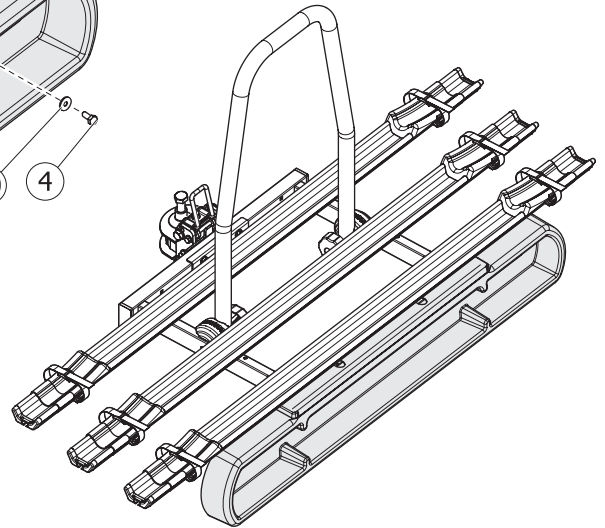



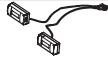

| N. | | Q. |
|----|---|----|
| 6 |  M6 | 4 |
| 10 |  M6x18 | 4 |
| 8 |  6x50 | 4 |





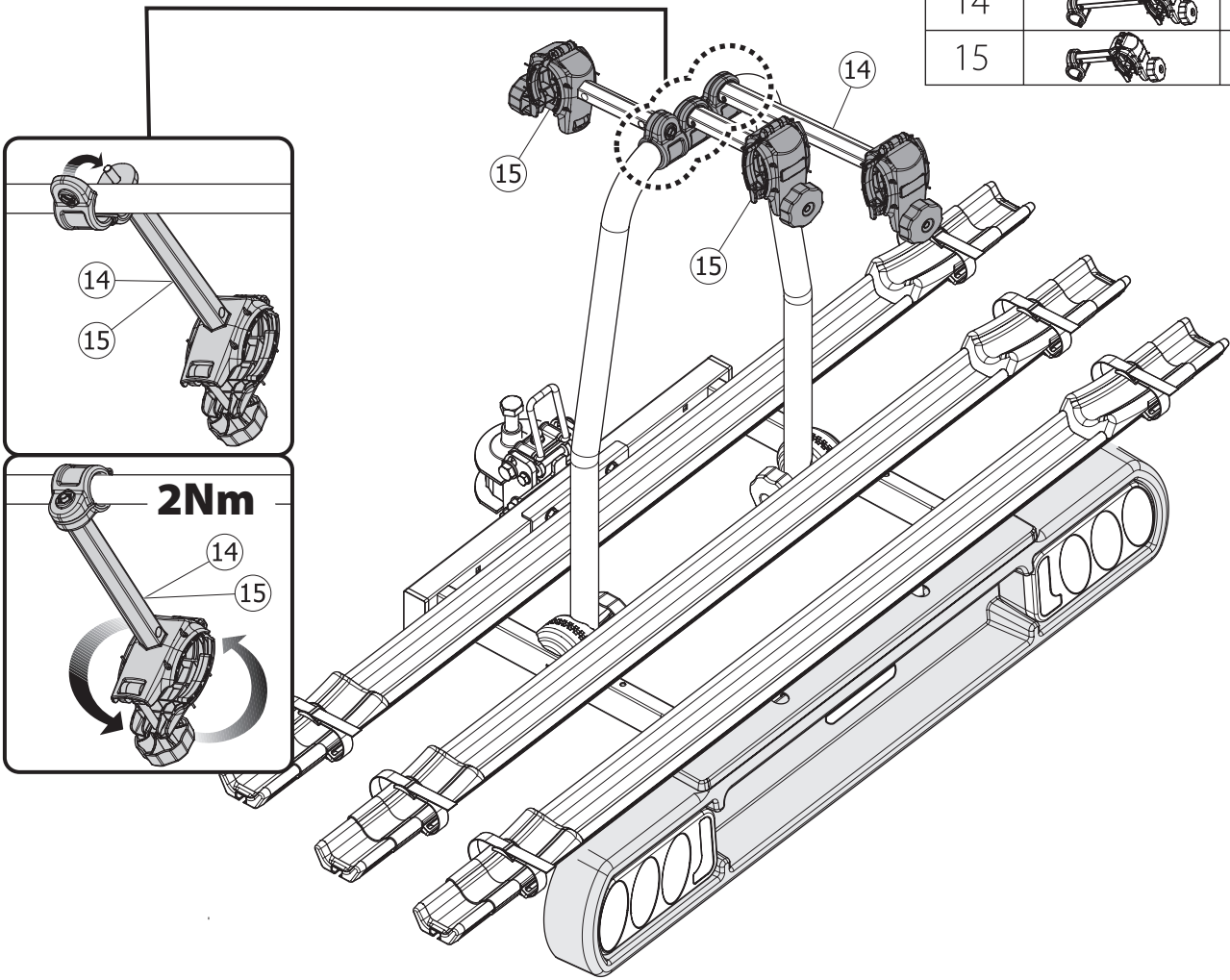



| N. | | Q. |
|----|---|----|
| 6 |  M6 | 6 |
| 10 |  M6X18 | 8 |
| 17 |  | 2 |
| 11 |  6X60 | 2 |
| 12 |  M6X16 | 2 |
| 4 |  M6X14 | 2 |
| 25 |  | 1 |

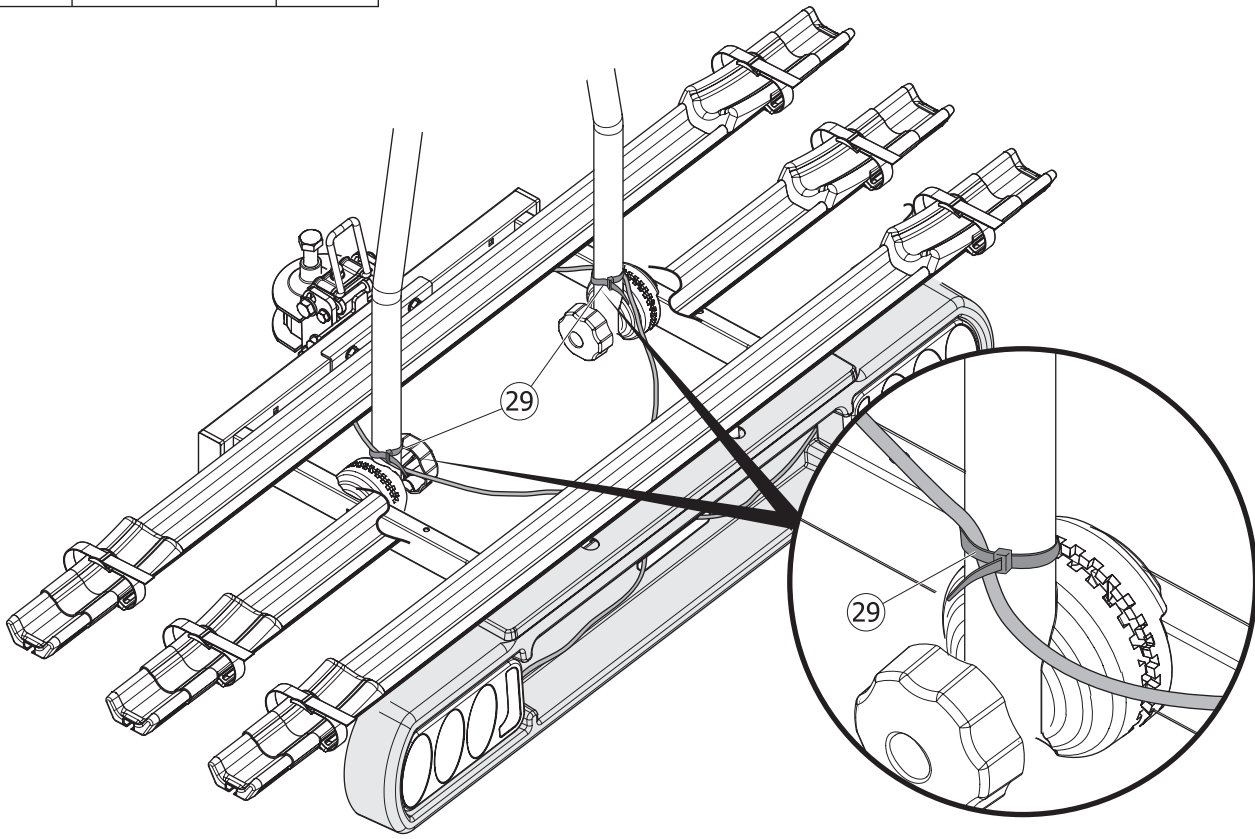


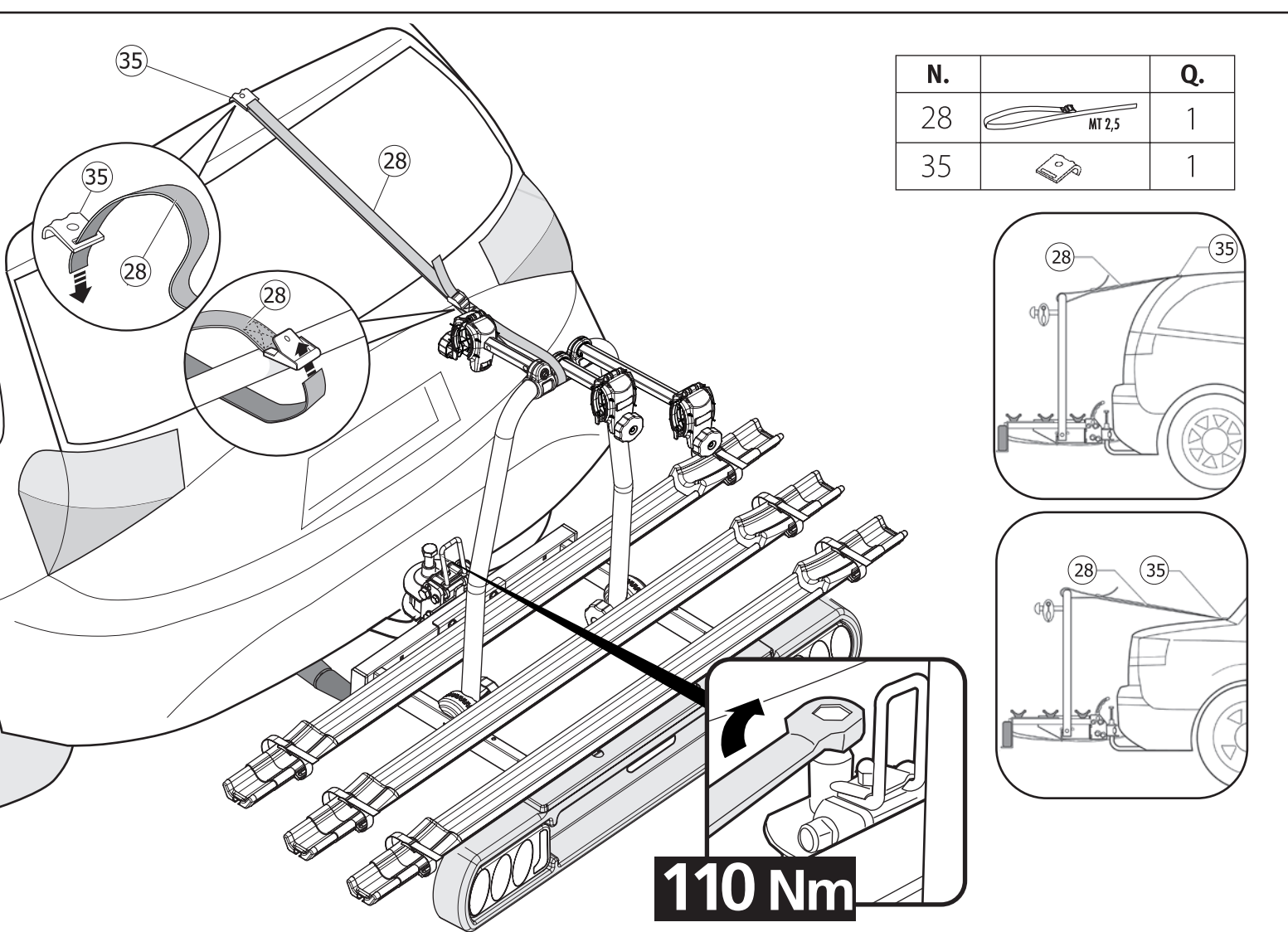
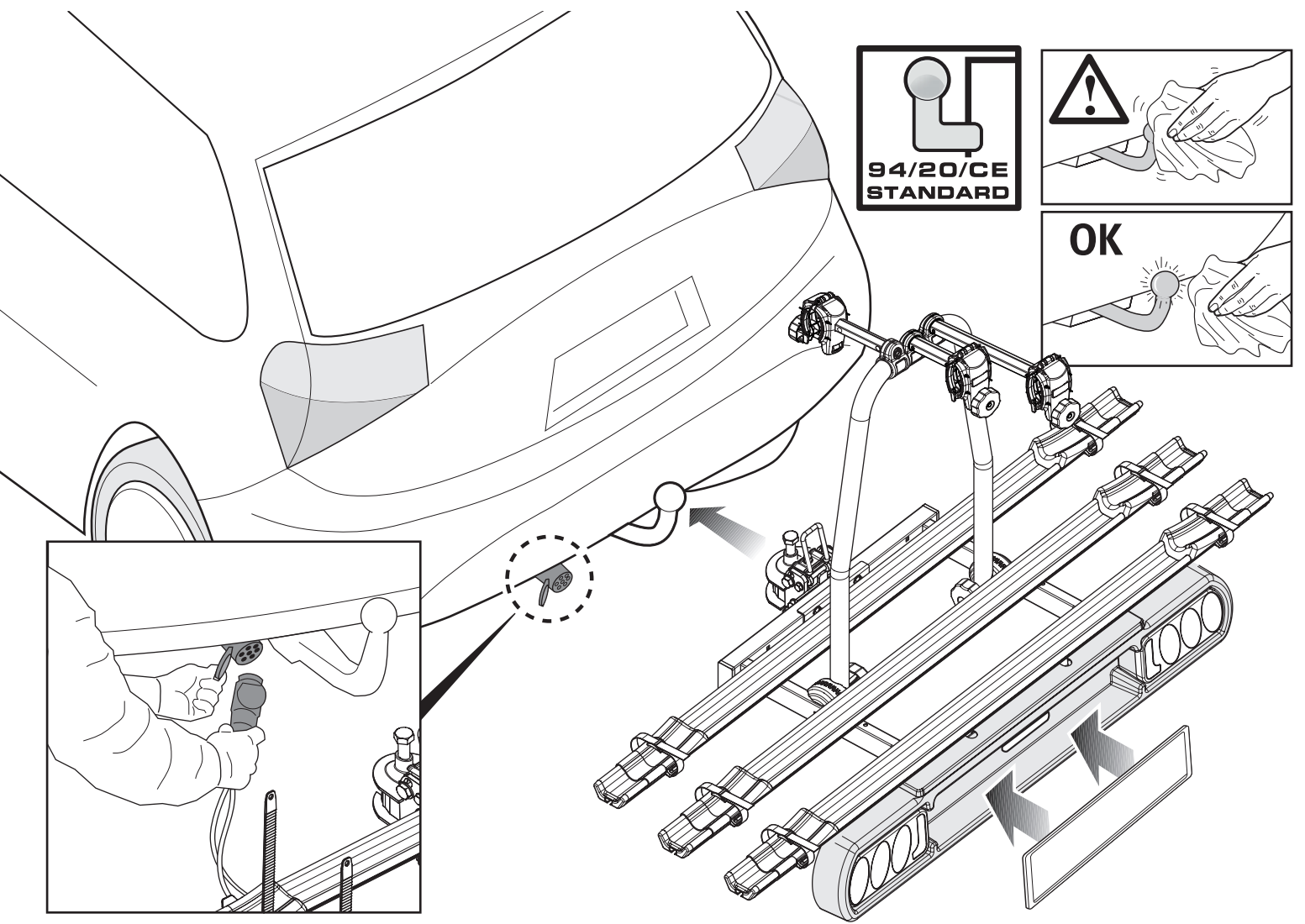
| N. | | Q. |
|----|--|----|
| 1 |  M5 | 4 |
| 16 |  | 1 |
| 2 |  M5 | 4 |



| N. | | Q. |
|----|---|----|
| 14 |  | 1 |
| 15 |  | 2 |

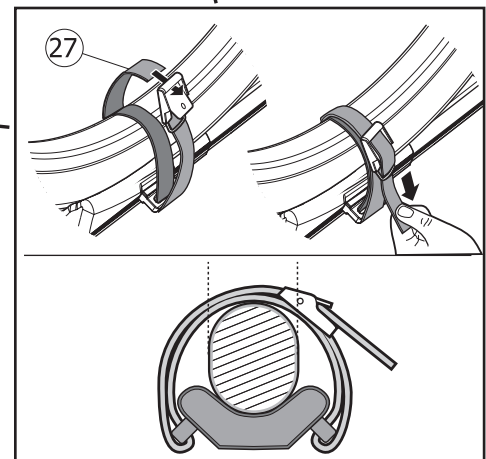
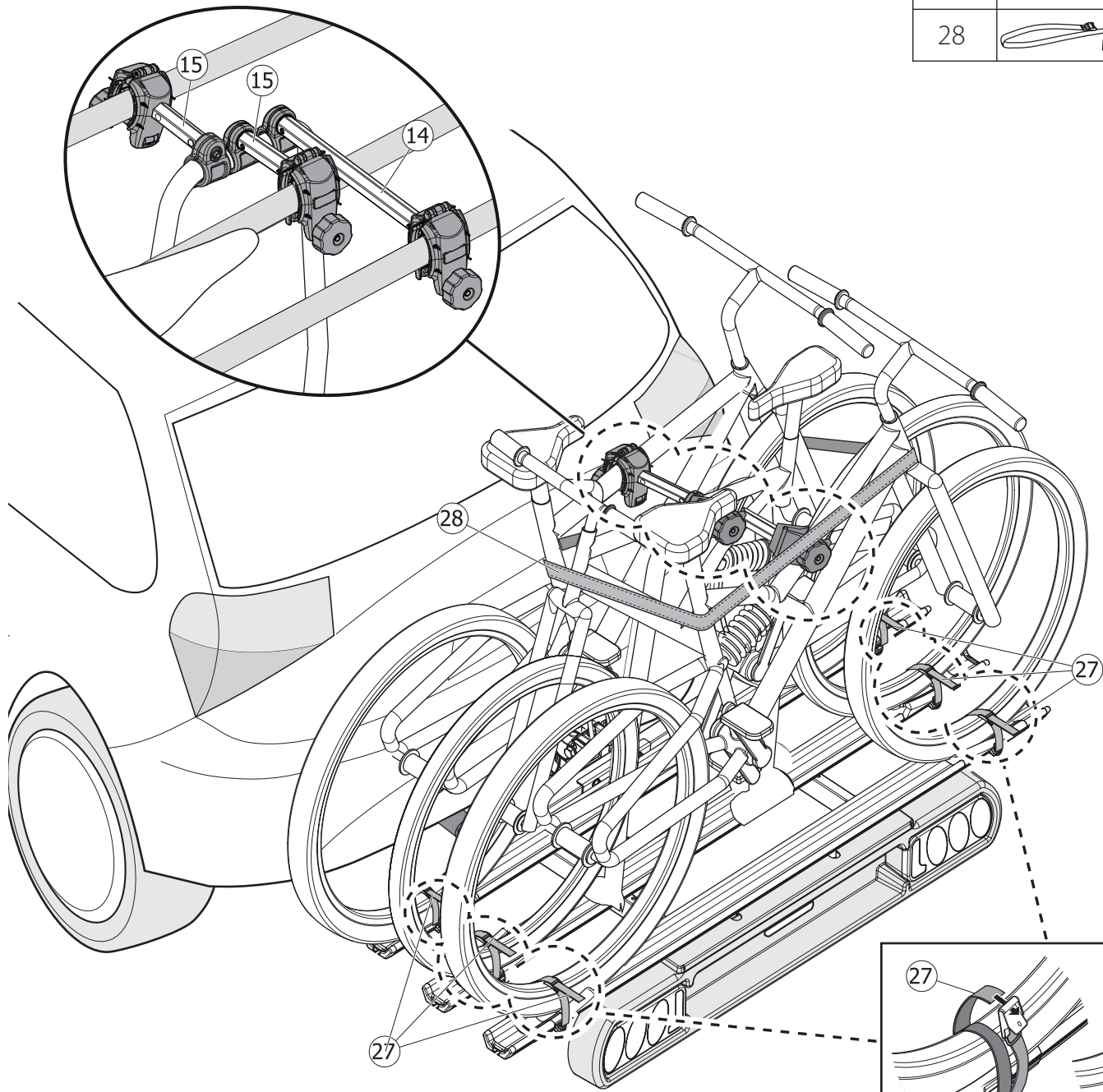


| N. | | Q. |
|----|---|----|
| 29 |  | 2 |

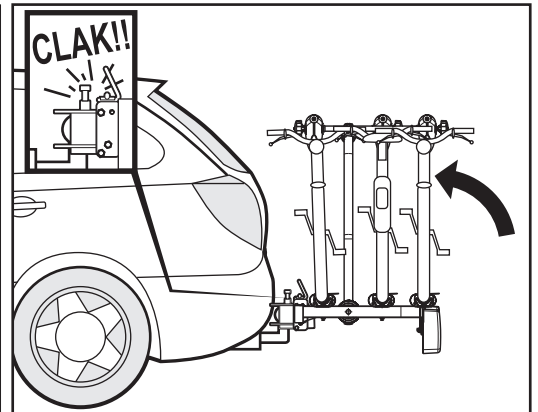
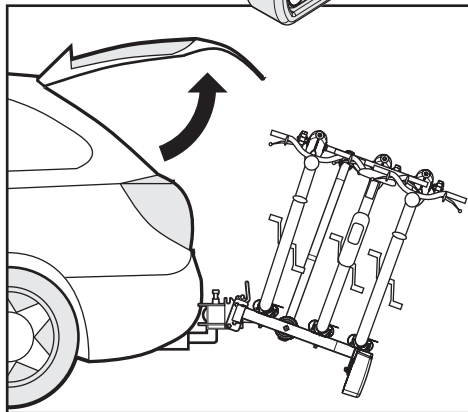
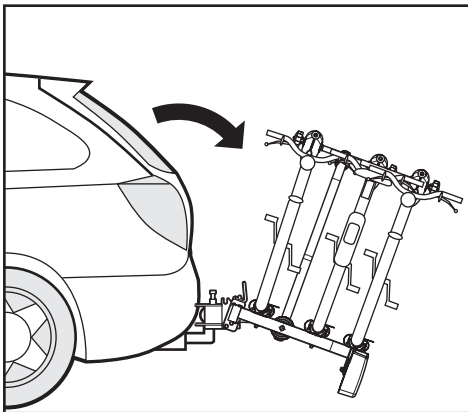
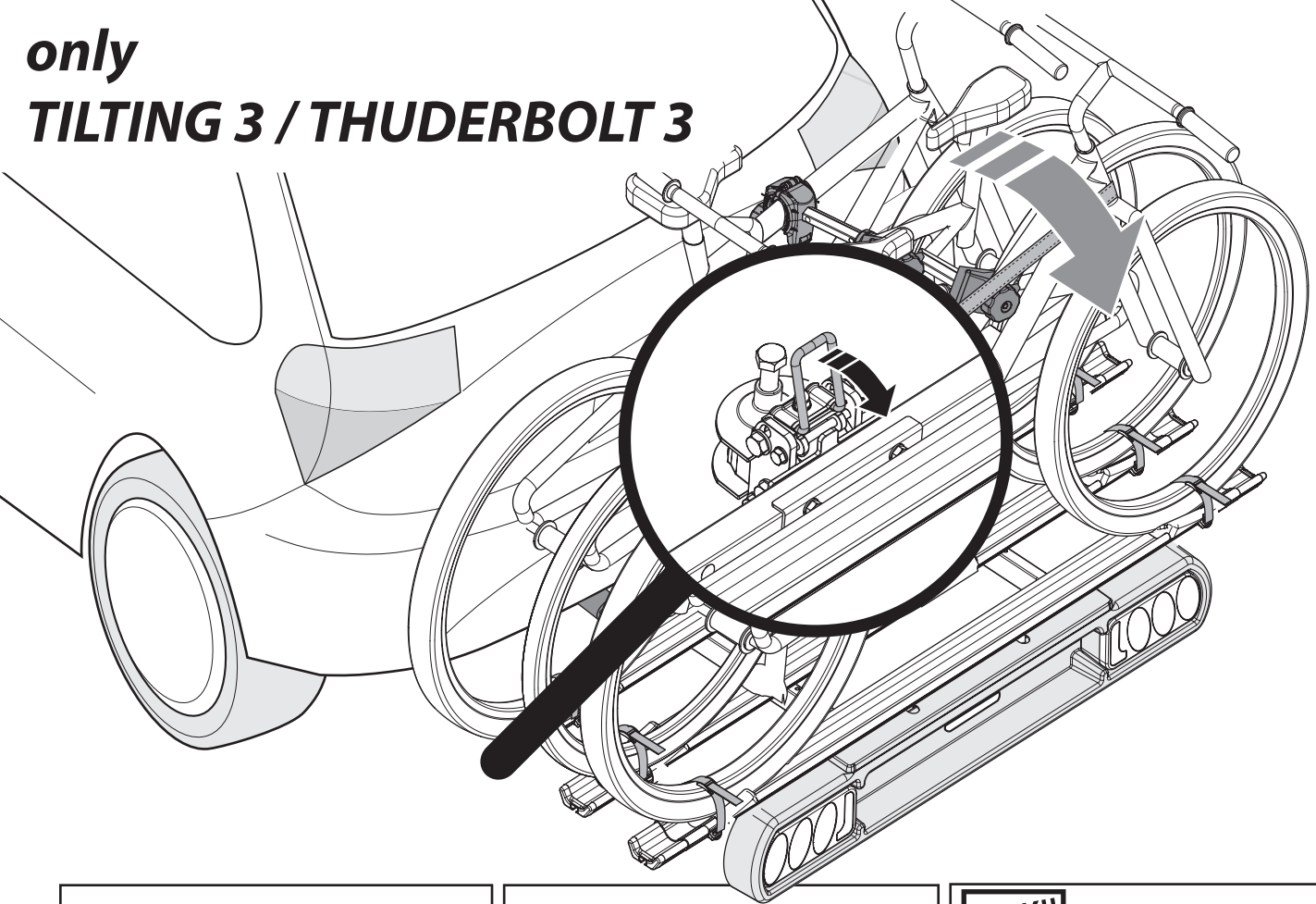




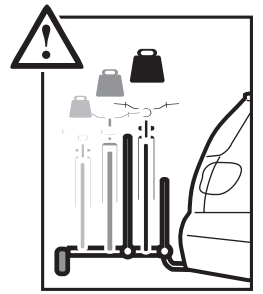
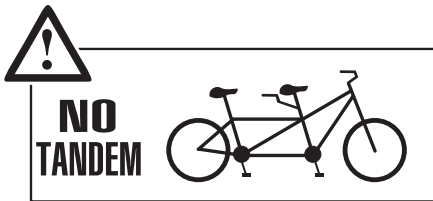
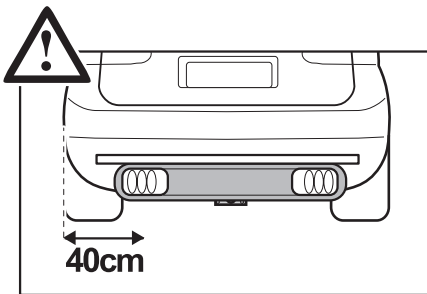
| N. | | Q. |
|----|--|----|
| 27 |  | 6 |
| 28 |  MT 2,5 | 1 |



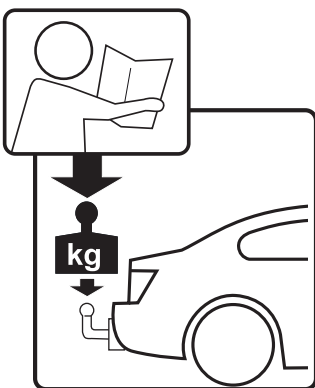
only TILTING 3 / THUNDERBOLT 3



RACE 3 / FOXHOUND 3 / PROJECT TILTING 3 / THUNDERBOLT 3



| | | | |
|------------|--------------|--------------|----|
| Cod. istr. | 100033900003 | Approvata da | EL |
| Data | 02/11/2015 | Creata da | NP |



| | | | | |
|--|----------------------------------|--------------------------------------|--|--------------------------------------|
| MAX 60kg >60kg | RACE 3 FOXHOUND 3 | 3X MAX 15 Kg | PROJECT TILTING 3 THUNDERBOLT 3 | 3X MAX 15 Kg |
| | 12,6 kg | MAX 45 kg MAX 45 kg | 14,1 kg | MAX 45 kg MAX 45 kg |

F.lli Menabò S.r.l.
Via 8 Marzo, 3
I - 42025 Cavriago (RE)
Tel. +39-0522/942840
Fax. +39-0522/942948
e-mail: info@flli-menabo.it
Web-site: www.flli-menabo.it
www.m-way.it

MENABO

free time on the move

NEKKAR

IT Istruzioni di montaggio

EN Fitting instructions

DE Montageanleitung

FR Instructions de montage

ES Instrucciones de montaje

BG инструкции за сглобяване

CS Návod na montáž

DA Monteringsvejledning

EL Οδηγίες συναρμολόγησης

ET Paigaldusjuhend

FI Asennusohje

HR Uputa za sastavljanje

HU A felszerelés módja

LT Pritvirtinimo instrukcijos

LV Stiprināšanas instrukcija

NL Instrukcja montażu

NO Monteringsveiledning

PL Instrukcja montażu

PT Instruções de Montagem

RO Instrucțiuni de montare

RU Инструкции по установке

SK Návod na montáž

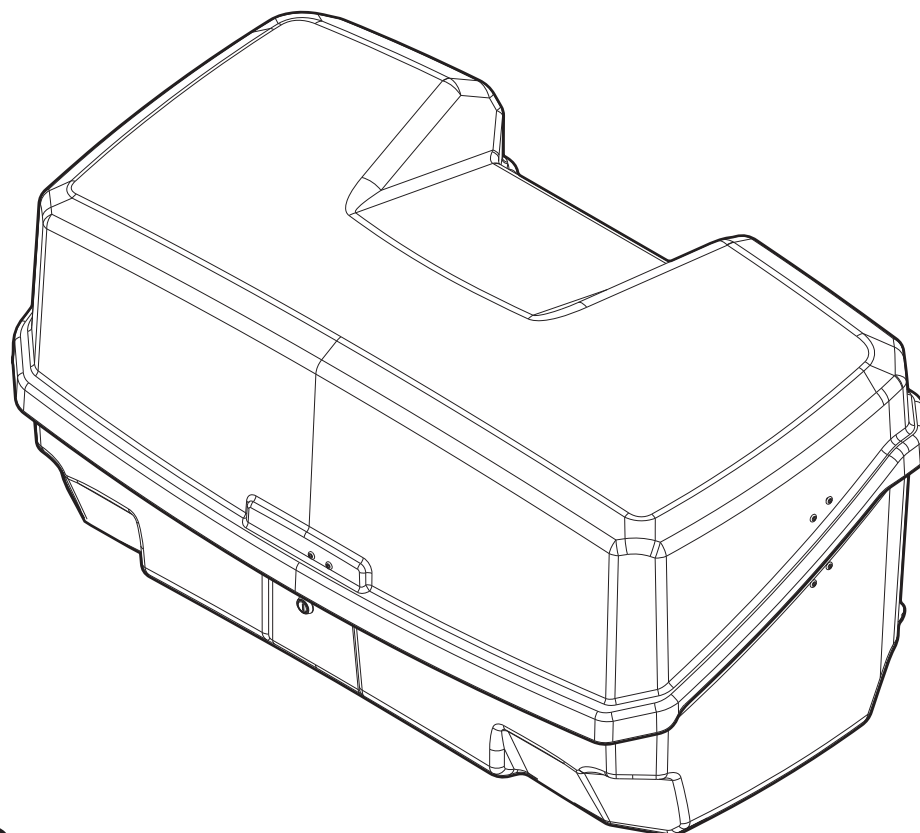
SL Navodila za pritrjevanje

SV Monteringsanvisning

TK Uydurma talimat


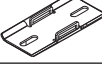
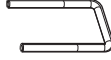



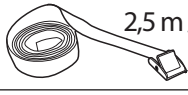

ZH 裝修指導


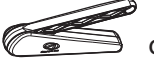
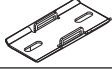
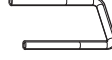


AR تعليمات التجميع

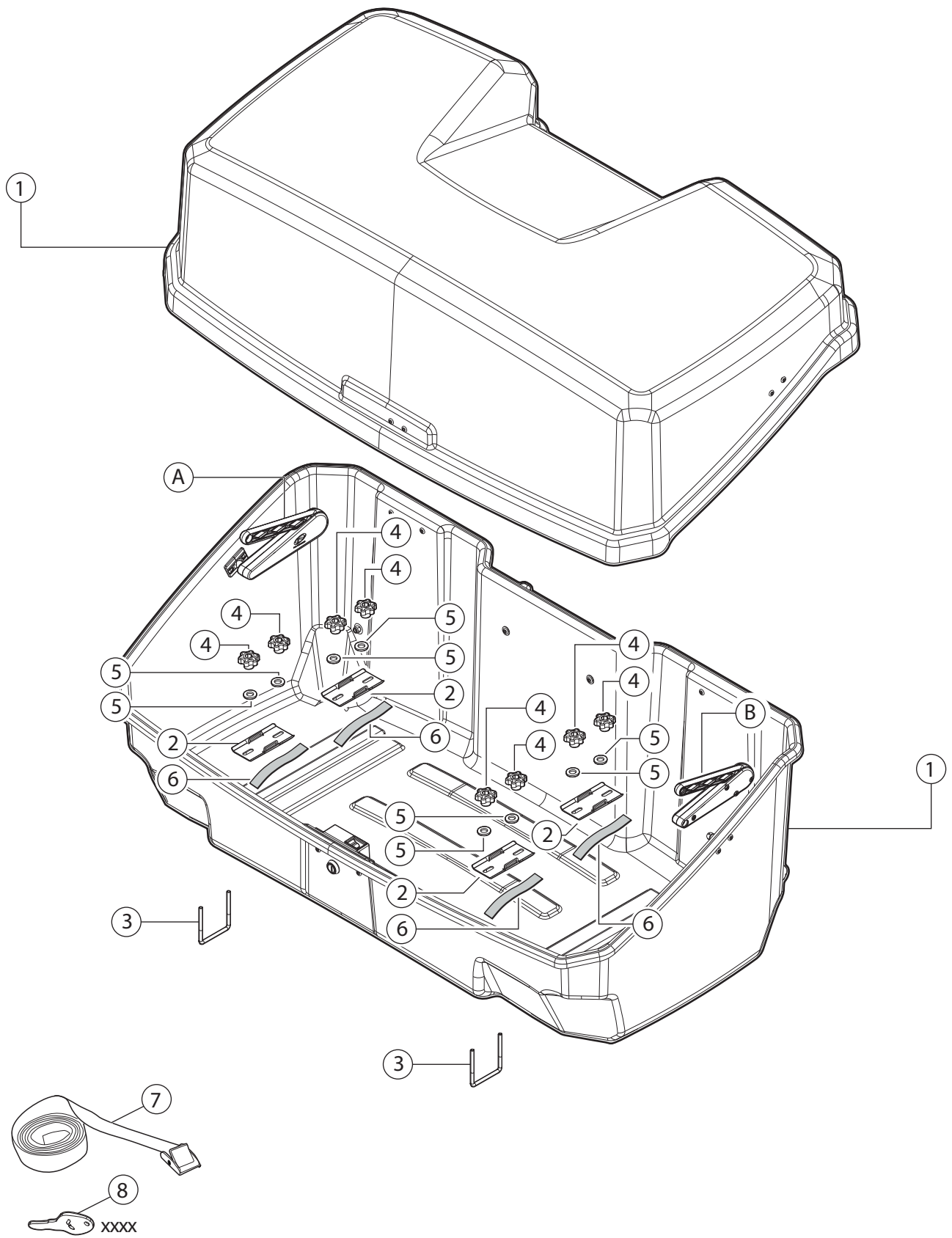


Made in Italy


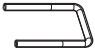


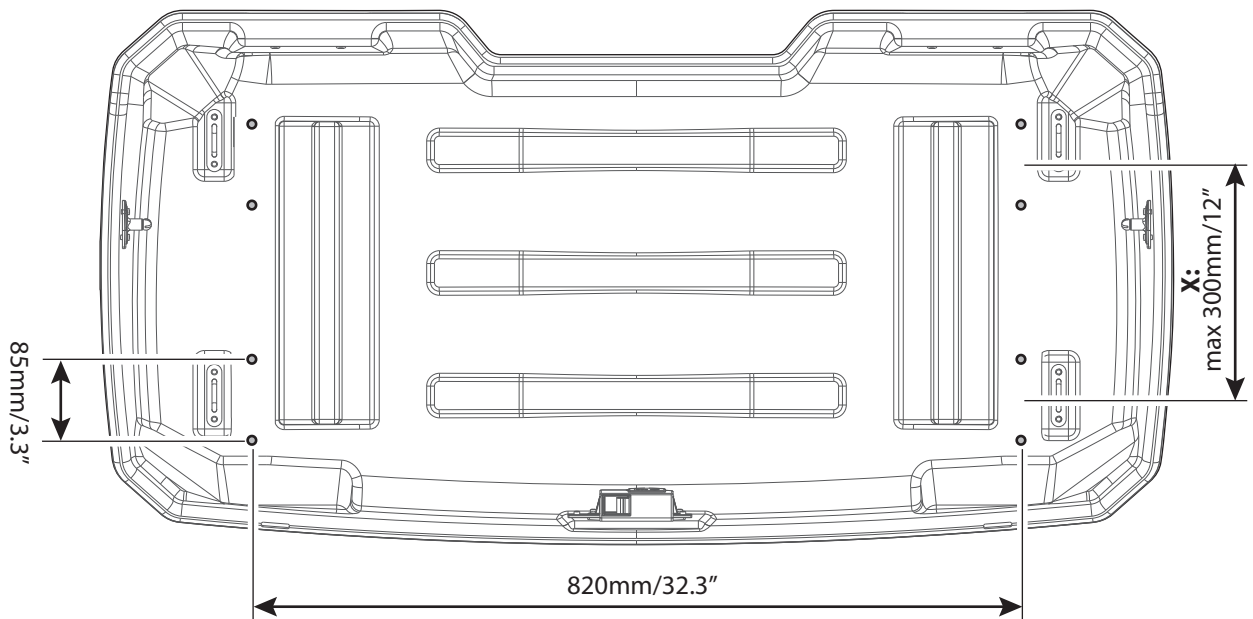
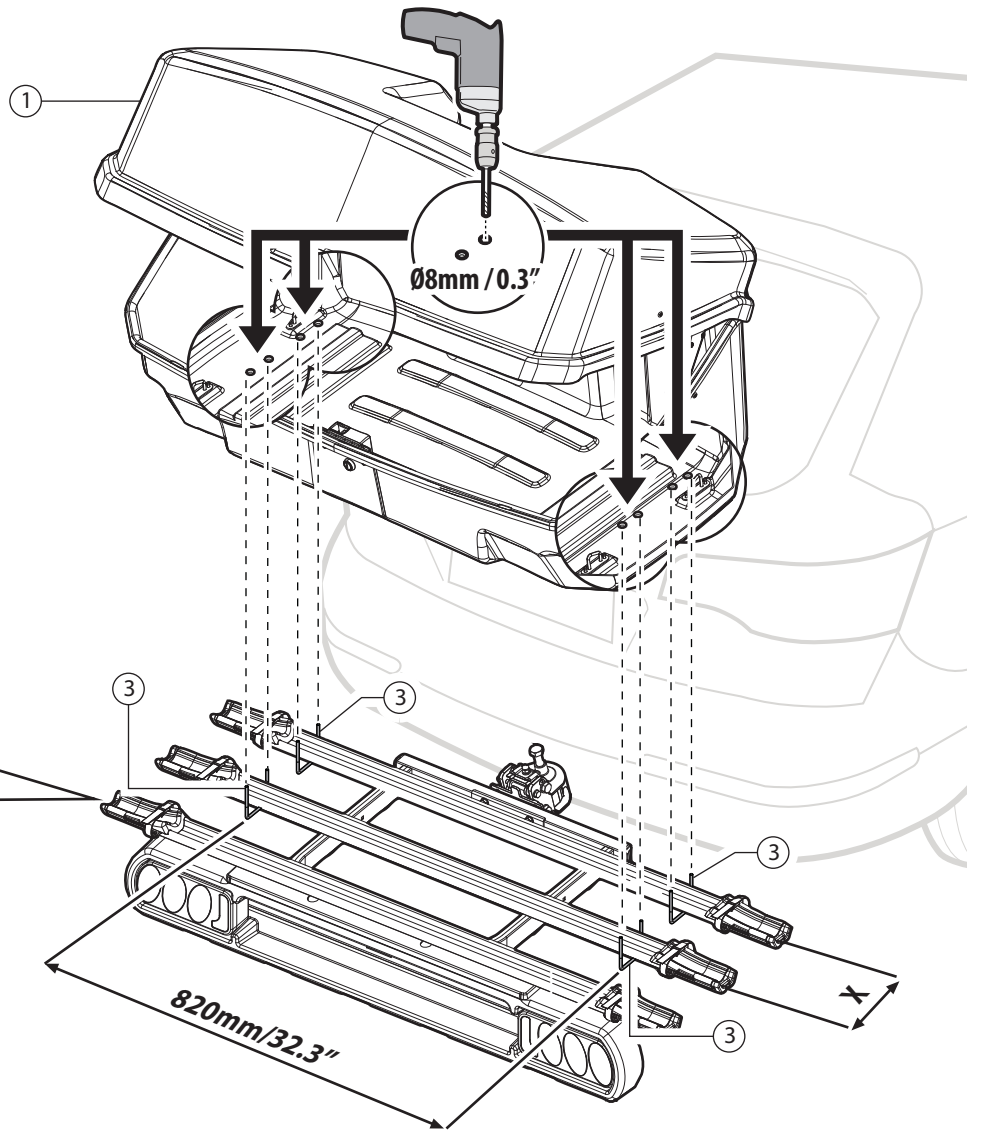
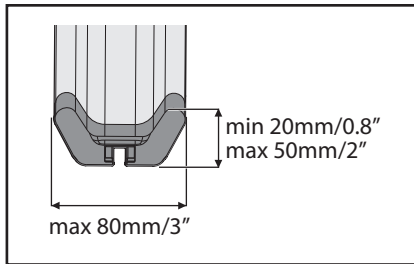
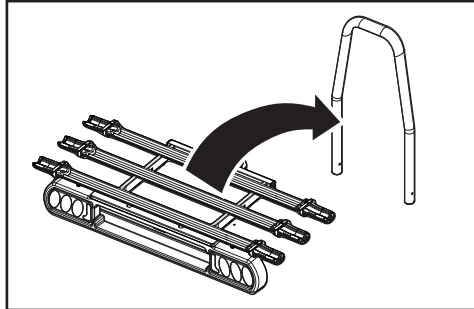
| N | [IT]Componenti (Inclusi) [EN]Components (Included) [FR]Composants (Comprises) [DE]Die Komponenten (im Lieferumfang enthalten) [ES]Componentes (Incluido) | Q |
|----------|--|----------|
| 1 |  | 1 |
| 2 |  | 4 |
| 3 |  | 4 |
| 4 |  | 8 |
| 5 |  6x18 | 8 |
| 6 |  | 4 |
| 7 |  2,5 m / 8ft | 2 |
| 8 |  xxxx | 2 |

| N | [IT]Ricambi (A Richiesta) [EN]Spare Parts (Made to order) [FR]Pièces de rechange (Sur commande) [DE]E Teile (auf Anfrage) [ES]Piezas de recambio (Previa solicitud) | Codice-Code-Código | Q |
|----------|---|--------------------|----------|
| A |  sx | 700000100000 | 1 |
| B |  dx | 700000200000 | 1 |
| 2 |  | 700001400000 | 1 |
| 3 |  | 700033500000 | 1 |
| 4 |  | 700001300000 | 1 |
| 7 |  2,5 m / 8ft | 700001100000 | 1 |




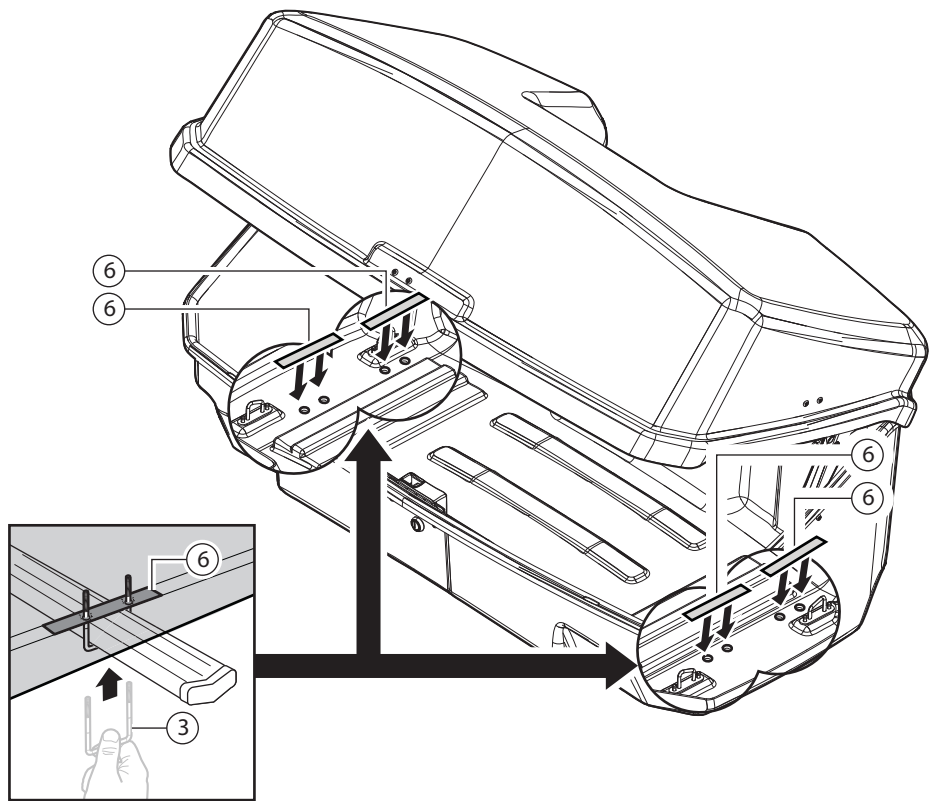
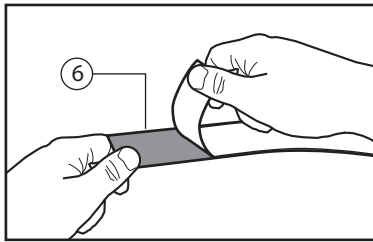
1

| N | | Q |
|---|---|---|
| 1 |  | 1 |
| 3 |  | 4 |






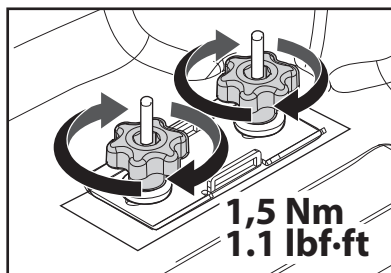
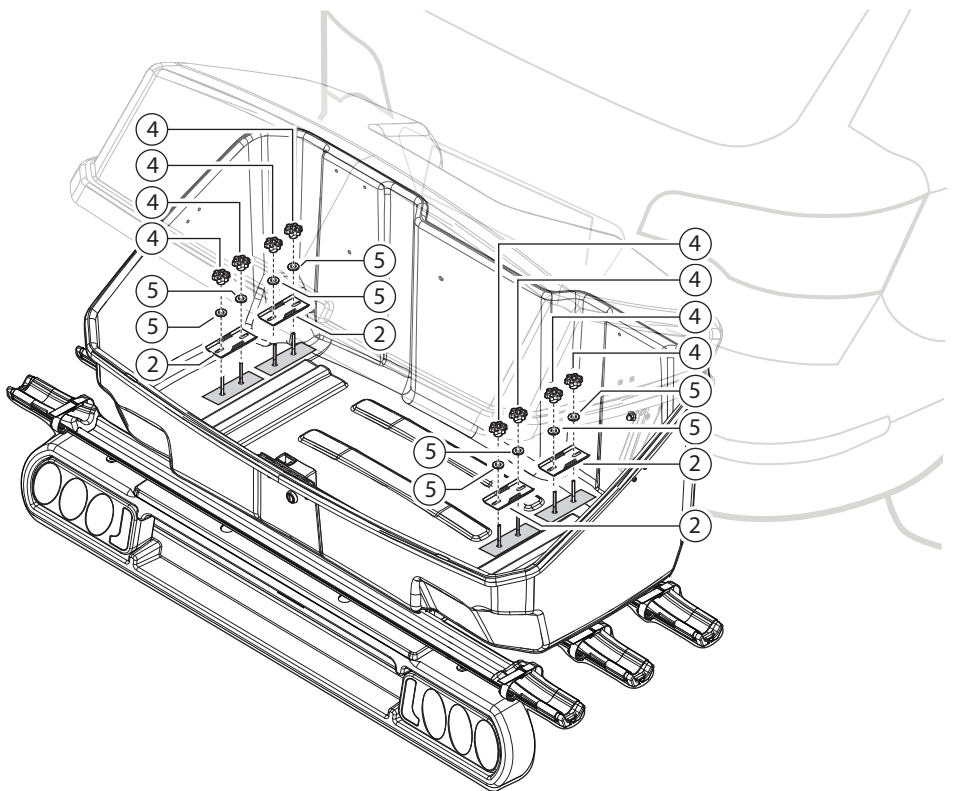
2

| N | | Q |
|---|---|---|
| 6 |  | 4 |




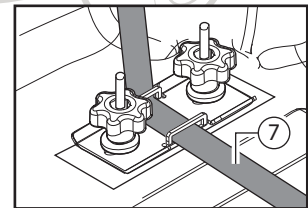
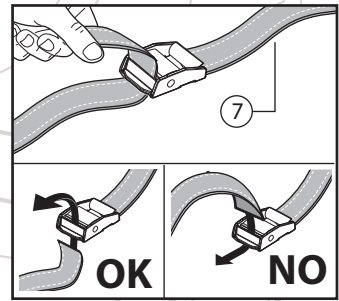
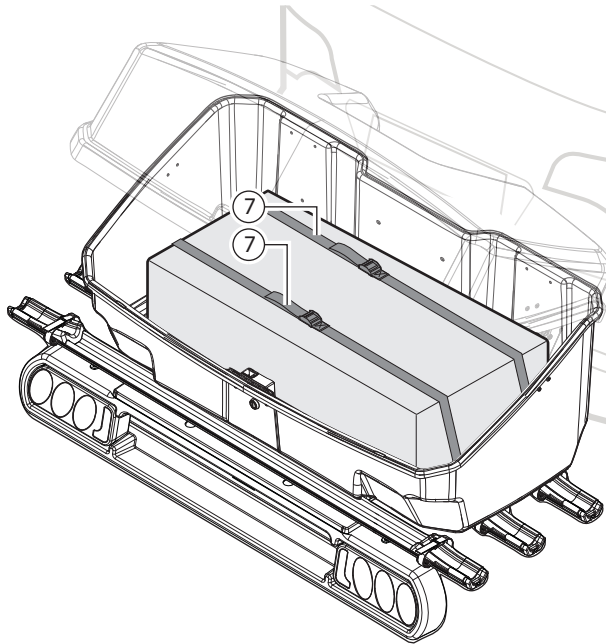
3

| N | | Q |
|---|--|---|
| 2 |  | 4 |
| 4 |  | 8 |
| 5 |  6x18 | 8 |

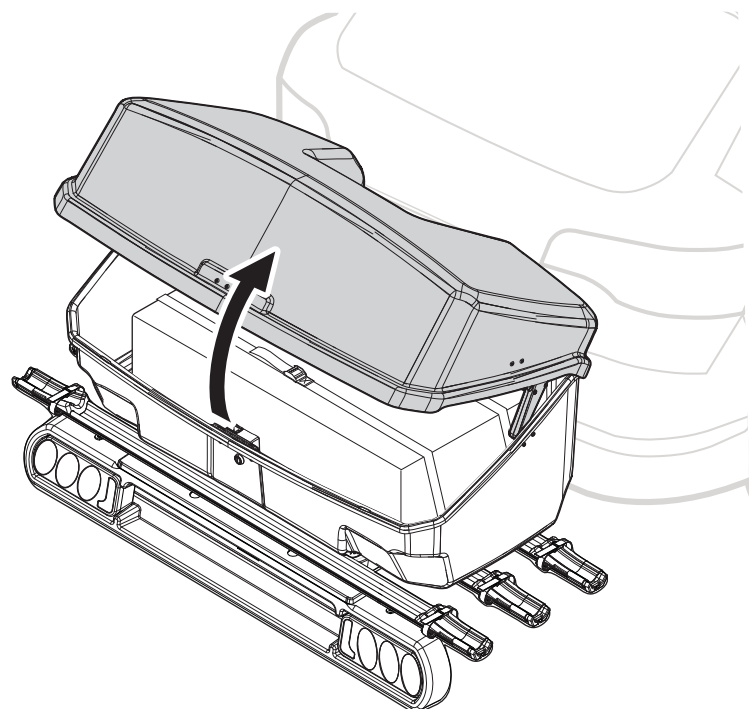
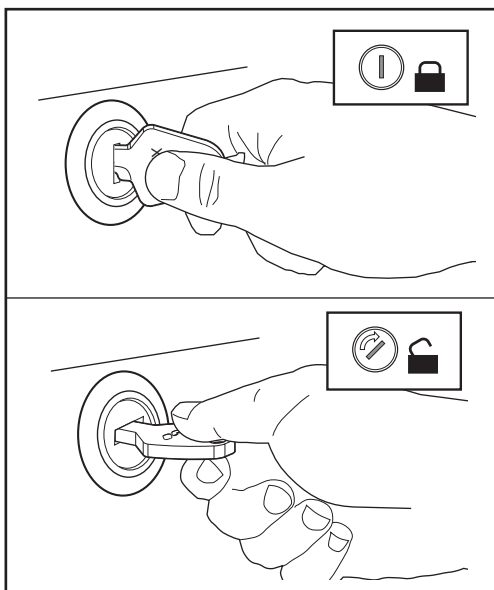
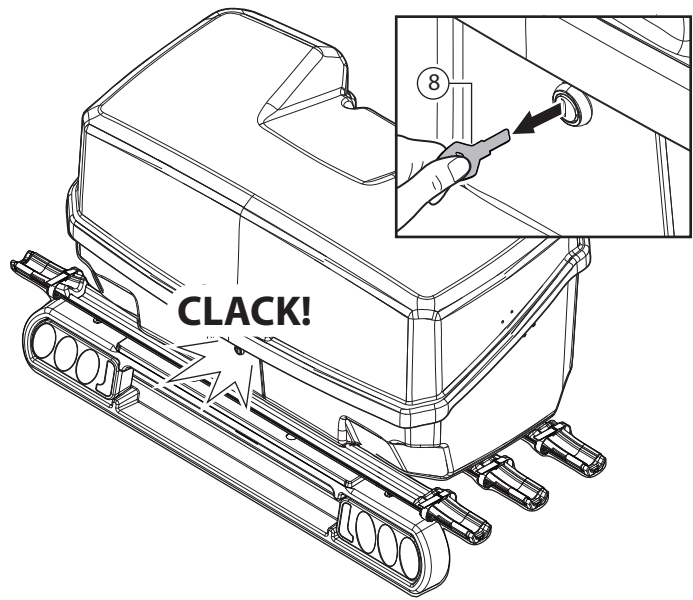
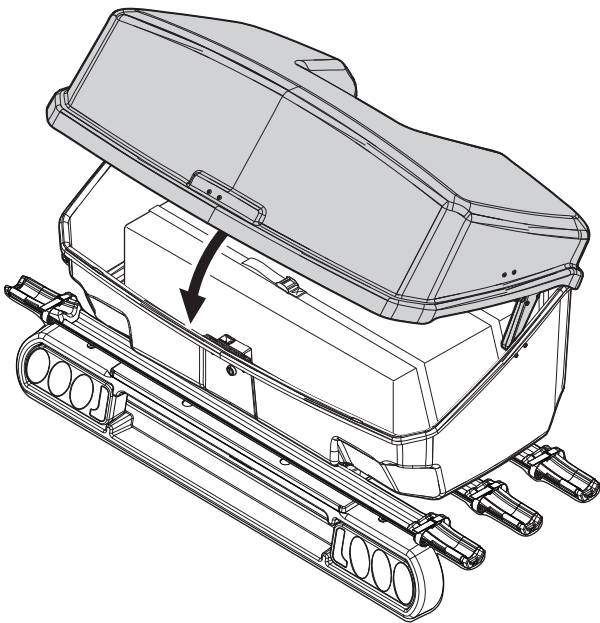


4

| N | | Q |
|---|--|---|
| 7 |  2,5 m / 8ft | 2 |



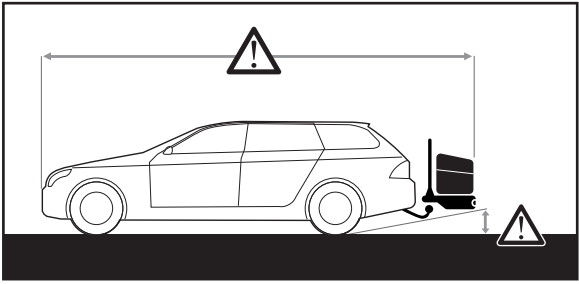
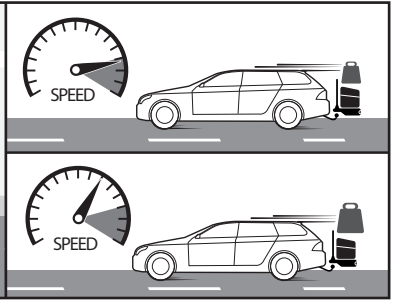
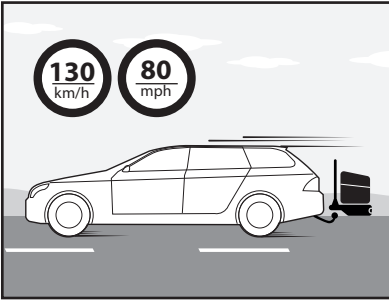
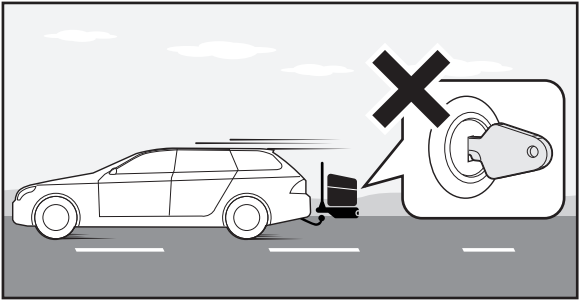
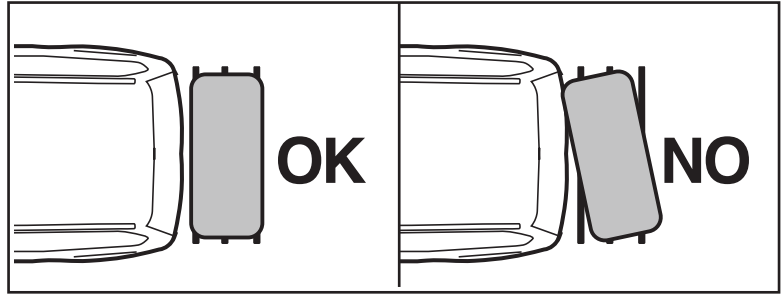
5



Car Manual

MAX loaded

↓ + 10kg - 22lb + MAX 30kg - 66lb





F.lli Menabò S.r.l.
Via 8 Marzo, 3 -Z.I. Corte Tegge
42025 Cavriago (RE) ITALY
customercare@fli-menabo.it
www.menabocaraccessories.com

| | |
|-----------|--------------|
| Cod.istr. | 500034500001 |
| Data | 18/03/2021 |

Product registration

IT) eu.menabocaraccessories.com/ita/product-support-ita
EN) eu.menabocaraccessories.com/eng/product-support-eng
DE) eu.menabocaraccessories.com/deu/product-support-deu
FR) eu.menabocaraccessories.com/fra/product-support-fra
ES) eu.menabocaraccessories.com/esp/product-support-esp

www.menabocaraccessories.com

Name

Surname

Email

Telephone

Serial number

Product name